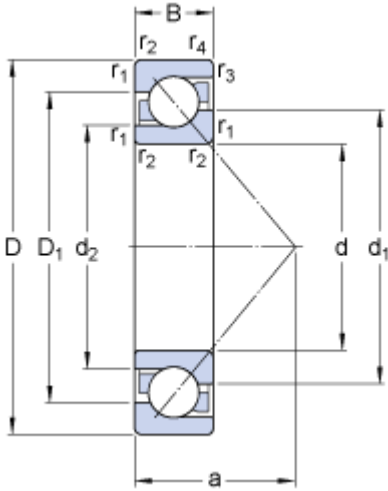


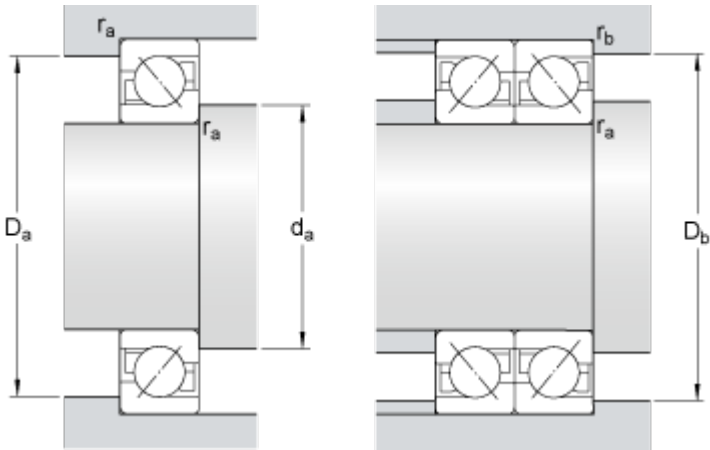
# 7316 BECBJ

## Dimensions



d		80	mm
D		170	mm
B		39	mm
d <sub>1</sub>	≈	115.2	mm
d <sub>2</sub>	≈	97.07	mm
D <sub>1</sub>	≈	136.75	mm
a		72	mm
r <sub>1,2</sub>	min.	2.1	mm
r <sub>3,4</sub>	min.	1.1	mm

## Abutment dimensions



d <sub>a</sub>	min.	92	mm
D <sub>a</sub>	max.	158	mm
D <sub>b</sub>	max.	163	mm
r <sub>a</sub>	max.	2	mm
r <sub>b</sub>	max.	1	mm

## Calculation data

### Bearing pair arranged back-to-back or face-to-face

Basic dynamic load rating	C	135	kN
Basic static load rating	C <sub>0</sub>	110	kN
Fatigue load limit	P <sub>u</sub>	4.2	kN
Reference speed		4500	r/min
Limiting speed		4500	r/min
Calculation factor	k <sub>r</sub>	0.1	
Calculation factor	k <sub>a</sub>	1.6	
Calculation factor	e	1.14	
Calculation factor	X	0.57	

Calculation factor	$Y_0$	0.52
Calculation factor	$Y_1$	0.55
Calculation factor	$Y_2$	0.93

**Single bearing or bearing pair arranged in tandem**

Calculation factor	X	0.35
Calculation factor	$Y_0$	0.26
Calculation factor	$Y_1$	0
Calculation factor	$Y_2$	0.57

**Mass**

---

Mass bearing	3.8	kg
--------------	-----	----